

Burford®

Model 280S Sifter

PURITY PROTECTION

Protect the purity of any ingredient with the Burford® Model 280S Sifter.

Maintain your high quality standards by guarding against contamination. The Burford® Sifter can help you inspect all incoming ingredients, reclaim dusting flour and serve as your main product sifter. It's built to tough Burford® Standards and features a stainless steel frame and screens in various sizes. The Burford® Sifter operates simply and quietly, and it's portable.



MODEL 280S SHOWN

PRACTICAL SOLUTIONS THROUGH INNOVATIVE TECHNOLOGIES



CALL US TODAY 1-877-BURFORD (287-3673)

P.O. Box 748 • Maysville, OK 73057 • 1-405-867-4467 • Fax 1-405-867-4219 • e-mail: sales@burford.com • website: www.burford.com

Copyright © Burford Corp. All rights reserved. Burford Corp is a registered trademark with the US Patent & Trademarks office.

MODEL 280S SIFTER

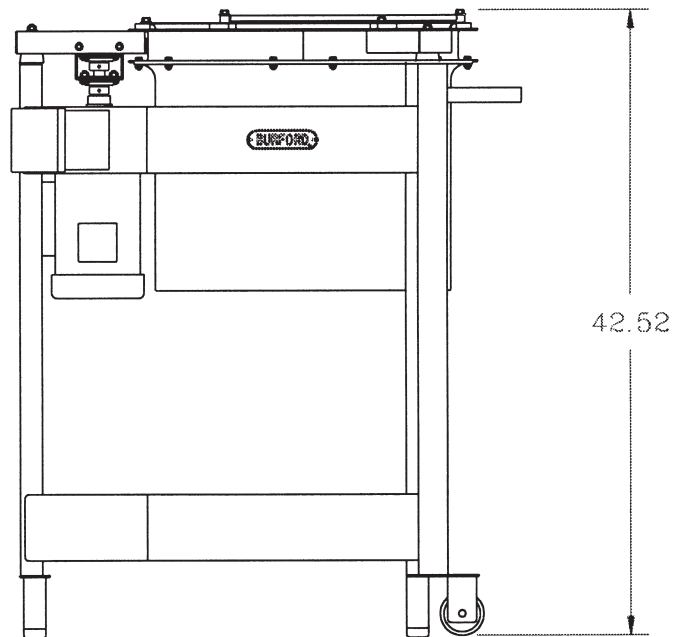
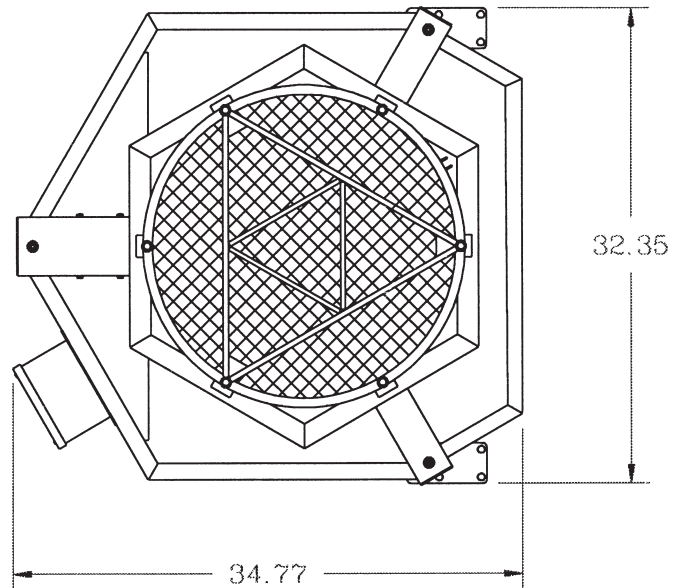


Features

- Simple Operation
- Stainless Screen
- Tough Stainless Frame
- Portable
- Heavy Duty Vinyl Dust Skirt
- Quiet Operation
- Open Front Design for Container Access
- Screen Sizes from 4 to 100 Mesh Available

Options

- Product Shelf/Model 280S
- Large Container Frame/Model 280W



SPECIFICATIONS	
ELECTRICAL:	
	110 VOLT, 50-60 HZ, 1 PHASE
	10 AMPS
DIMENSIONS:	
	HEIGHT: 42.52", WIDTH: 32.35", DEPTH: 34.77"
CONSTRUCTION:	
	STAINLESS STEEL AND ALUMINUM
SIFT OUTPUT:	
	APPROXIMATELY 15 TO 30 LBS. PER MINUTE
VIBRATOR:	
	ELECTRIC, TEFC
SIFTER HOPPER	
DIAMETER:	20"
DEPTH:	3.75"
CAPACITY:	25 LBS.
SCREEN:	30 MESH IS RECOMMENDED FOR FLOUR AND SIMILAR MATERIALS