

# Burford® Smart Pattern Splitter

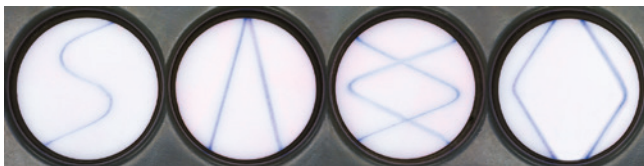
**MODEL SPS1000 - RIGHT HAND, MODEL SPS1100 - LEFT HAND**

The Burford® Smart Pattern Splitter utilizes low pressure water to provide split top bakery products. The model SPS1000 is designed to produce a wide variety of split patterns on automated lines.

- Servo controlled
- Narrow footprint
- High speed production rates
- Wide variety of split patterns
- Portable pressure control system



Model SPS1000 shown with Optional Conveyor



**PRACTICAL SOLUTIONS THROUGH INNOVATIVE TECHNOLOGIES**

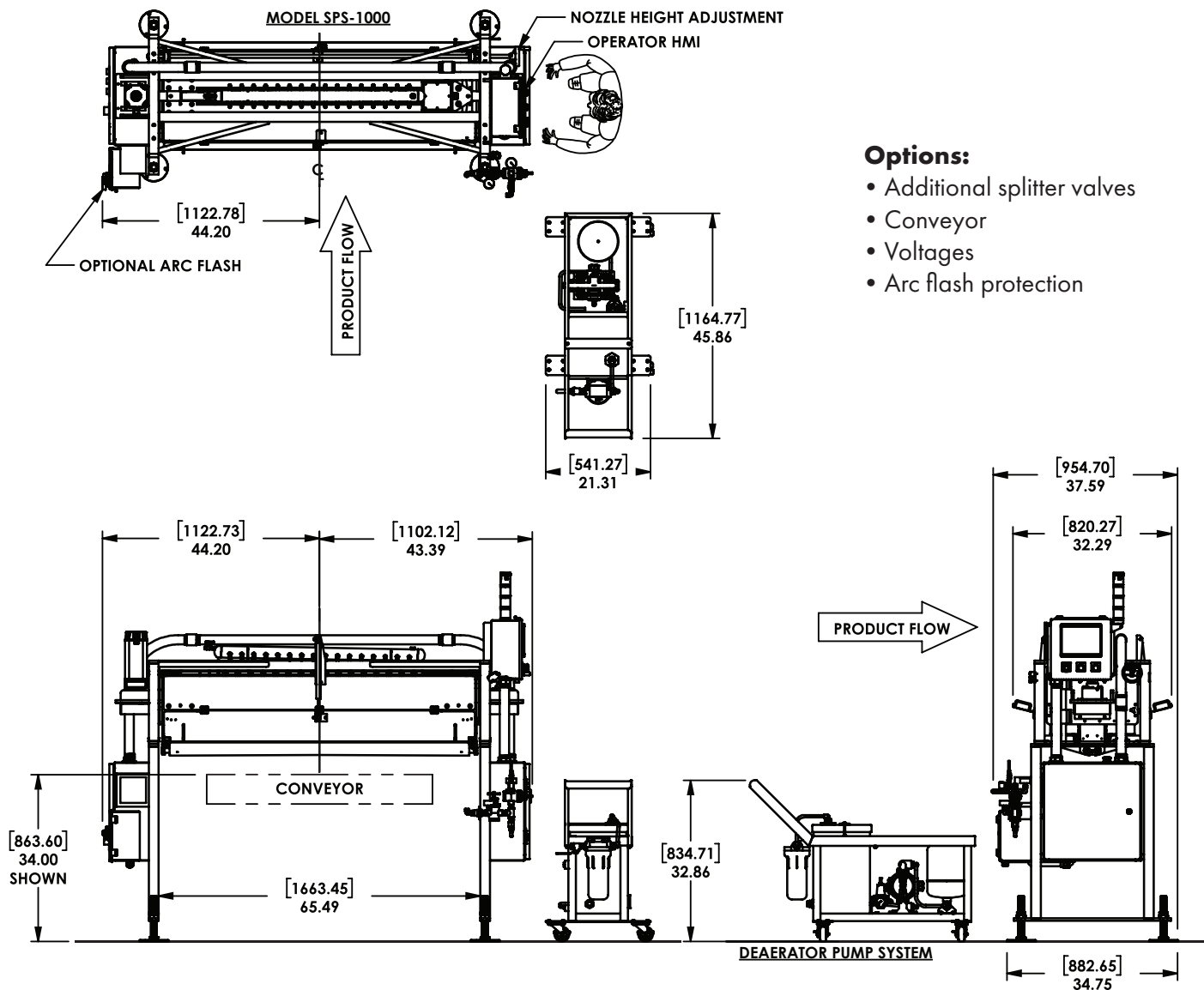


**CALL US TODAY 1-877-BURFORD (287-3673)**

P.O. Box 748 • Maysville, OK 73057 • 1-405-867-4467 • Fax 1-405-867-4219 • e-mail: [sales@burford.com](mailto:sales@burford.com) • website: [www.burford.com](http://www.burford.com)

Copyright © Burford Corp. All rights reserved. Burford Corp is a registered trademark with the US Patent & Trademarks office.

# SMART PATTERN SPLITTER



### Options:

- Additional splitter valves
- Conveyor
- Voltages
- Arc flash protection

### SPECIFICATIONS

#### ELECTRICAL:

220 VOLT, 50/60 HZ., 1 PHASE 10 AMP

#### AIR:

80 PSI @ 3 SCFM Max

#### WATER:

50 PSI @ 23 GPH Max