

Burford®

High Speed Duster

MODEL FD1040 - RIGHT HAND, MODEL FD1140 - LEFT HAND

The Burford® High Speed Duster is designed to dispense flour, cinnamon, powdered sugar and other fine toppings onto product in an even and consistent manner. Using the easily controlled operator interface, topping density can be instantly manipulated without interrupting product flow.

Model FD1040 shown
with optional stand



Features:

- High speed actuation
- Aluminum and stainless steel construction
- User friendly operator controls
- Quick change templates
- Tool less brush removal for easy clean-out



PRACTICAL SOLUTIONS THROUGH INNOVATIVE TECHNOLOGIES

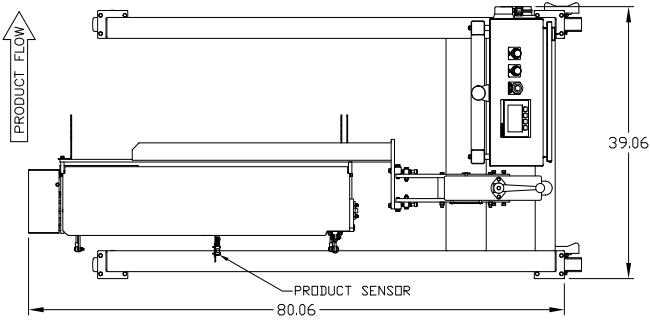
Burford®
bc

CALL US TODAY 1-877-BURFORD (287-3673)

P.O. Box 748 • Maysville, OK 73057 • 1-405-867-4467 • Fax 1-405-867-4219 • e-mail: sales@burford.com • website: www.burford.com

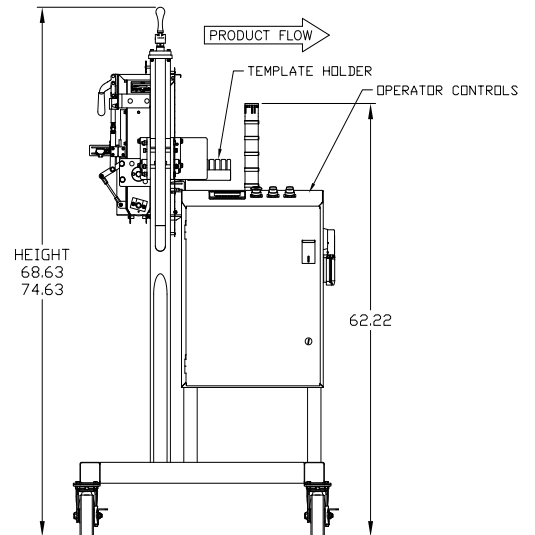
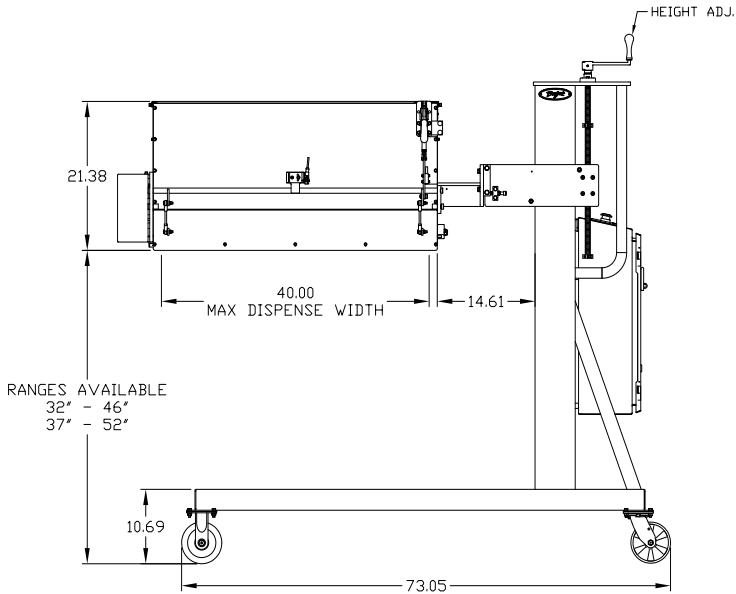
Copyright © Burford Corp. All rights reserved. Burford Corp is a registered trademark with the US Patent & Trademarks office.

HIGH SPEED DUSTER



Options:

- Dispense Widths
- Cantilever Stand
- Auto Fill
- Additional Templates
- Additional Brushes
- Washdown
- Voltages



SPECIFICATIONS

ELECTRICAL:

110 VOLT, 50/60 HZ, 1 PHASE, 15 AMPS