

Burford® Spray Applicator

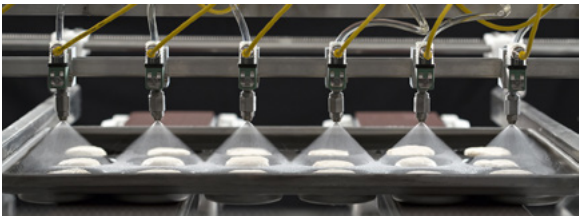
MODEL 824-01 – RIGHT HAND, MODEL 825-01 – LEFT HAND

The Model 824-01 Spray Applicator is designed to spray a variety of liquids directly onto the tops of products to provide a unique look. This system can be ordered for spot spraying or for continuous coverage.



- Portable cart
- Sanitary fluid path
- Re-circulation loop
- Low pressure wash-down design
- Stainless steel tank with agitator

Model 824-01 shown
with optional conveyor &
cantilevered spray arm



PRACTICAL SOLUTIONS THROUGH INNOVATIVE TECHNOLOGIES

Burford®
bc

CALL US TODAY 1-877-BURFORD (287-3673)

P.O. Box 748 • Maysville, OK 73057 • 1-405-867-4467 • Fax 1-405-867-4219 • e-mail: sales@burford.com • website: www.burford.com

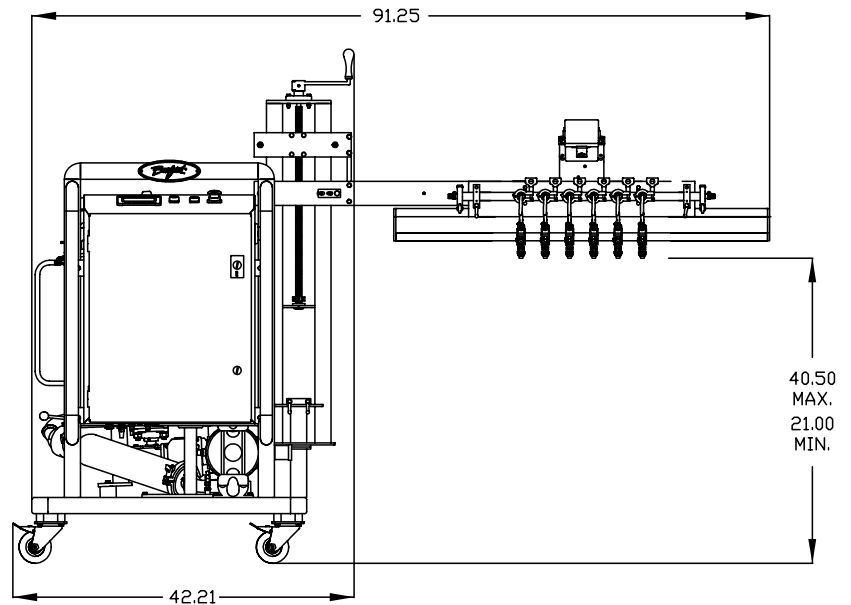
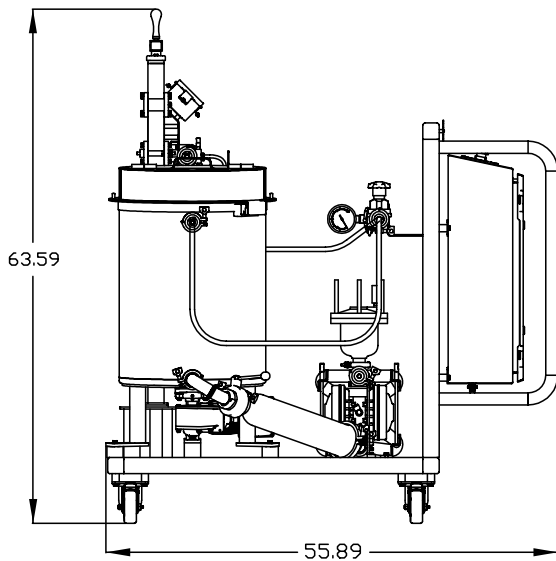
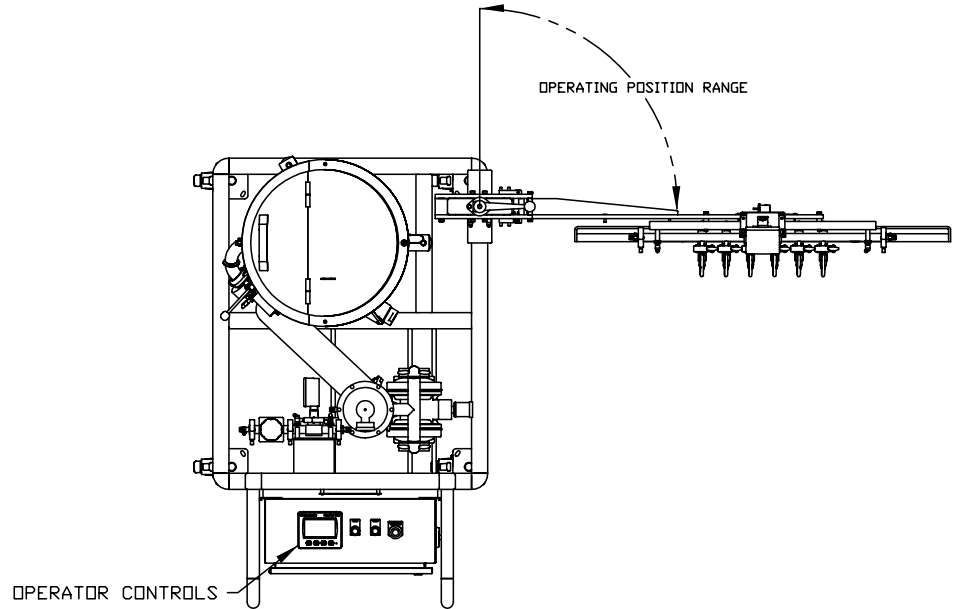
Copyright © Burford Corp. All rights reserved. Burford Corp is a registered trademark with the US Patent & Trademarks office.

SPRAY APPLICATOR



Options

- Conveyors
- Mist Collection
- Cantilevered Spray Arm
- Electrical Requirements
- Additional Spray Nozzles



SPECIFICATIONS

ELECTRICAL:

115 VOLT, 60HZ, 1 PHASE, 10 AMPS