

# Burford®

## Tape Closure System

**MODEL TCS-400MR - RIGHT HAND, MODEL TCS-400ML - LEFT HAND**

The Burford® Tape Closure System closes your packages using a metal free closure. The TCS-400M works with a wide variety of packaging materials and can easily be added to your existing production lines. For optimal performance a minimum bag thickness of 1.25 Mil is required.

- PLC controlled
- Integrated drive motor
- Up to 70 bags per minute
- Stainless steel and aluminum construction
- Easy pull apart tamper evident closure

Model TCS-400MR shown with optional conveyor and printer



PRACTICAL SOLUTIONS THROUGH INNOVATIVE TECHNOLOGIES



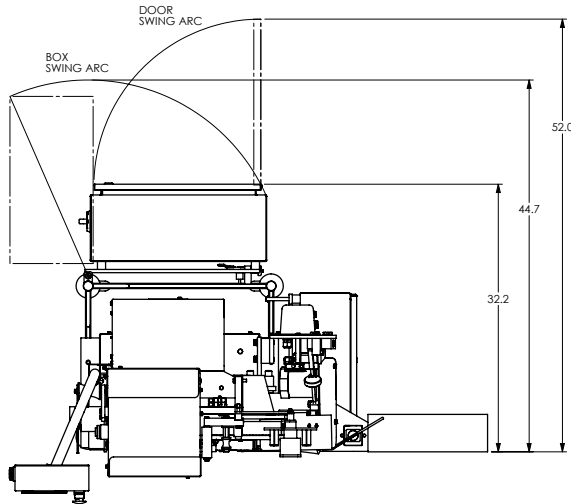
**CALL US TODAY 1-877-BURFORD (287-3673)**

P.O. Box 748 • Maysville, OK 73057 • 1-405-867-4467 • Fax 1-405-867-4219 • e-mail: [sales@burford.com](mailto:sales@burford.com) • website: [www.burford.com](http://www.burford.com)

Copyright © Burford Corp. All rights reserved. Burford Corp is a registered trademark with the US Patent & Trademarks office.

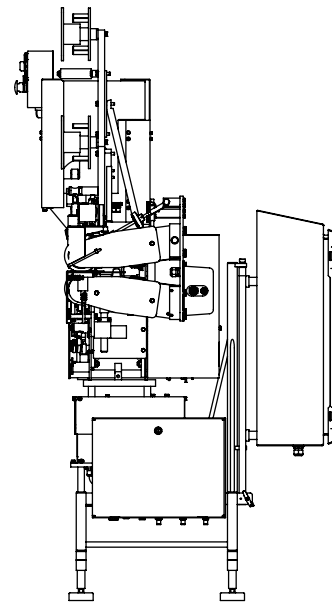
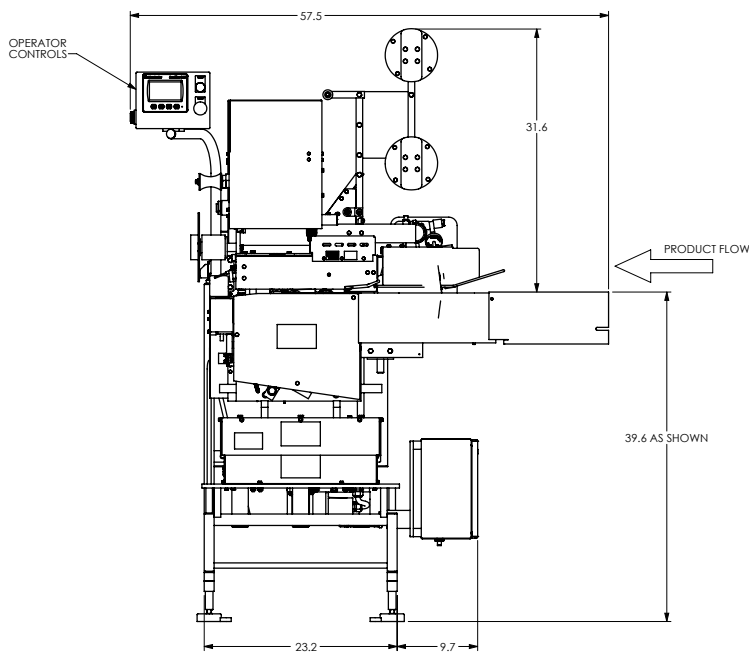
# TAPE CLOSURE SYSTEM

**Burford**<sup>®</sup>



## Options:

- Tape printing system
- Conveyor
- Allen Bradley or Mitsubishi controls
- Portable stand
- Auto height adjustment
- Speed follow kit
- Bun guide kit



## SPECIFICATIONS

### ELECTRICAL:

220 VOLT, 50/60 HZ, 1 PHASE, 10 AMPS

### AIR:

75 PSI @ 5 SCFM (Max)