

Burford®

Pattern/Cross Splitter

MODEL PSCS-3R - RIGHT HAND, MODEL PSCS-3L - LEFT HAND

The Burford® Pattern/Cross Splitter utilizes low pressure water to provide a split top look on your bakery products. The PSCS provides versatility of the Model PS-3 Pattern Splitter with the capability of the Model CS-2 Cross Splitter in the footprint of a single machine.

- Accurate split positions
- Gentle pan stop
- Quick change manifold
- Servo controlled



Model PSCS-3 shown with optional conveyor and pan metering system

PRACTICAL SOLUTIONS THROUGH INNOVATIVE TECHNOLOGIES

Burford®
bc

CALL US TODAY 1-877-BURFORD (287-3673)

P.O. Box 748 • Maysville, OK 73057 • 1-405-867-4467 • Fax 1-405-867-4219 • e-mail: sales@burford.com • website: www.burford.com

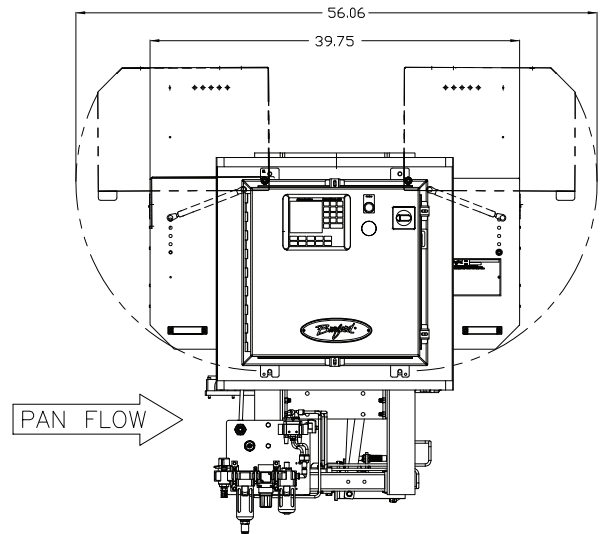
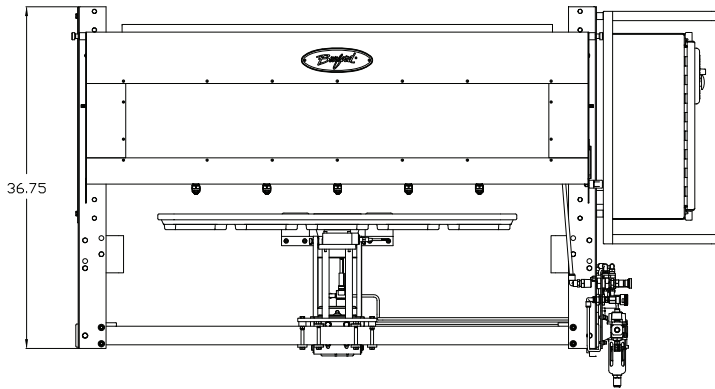
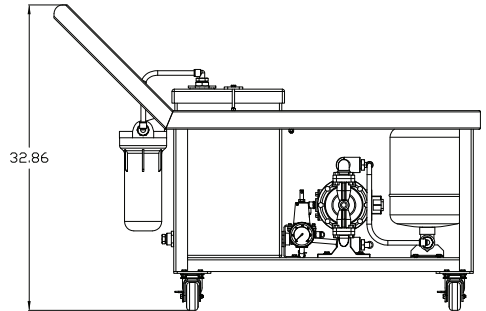
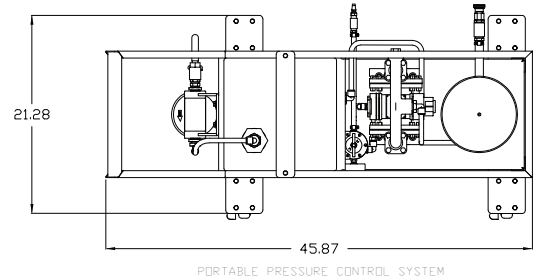
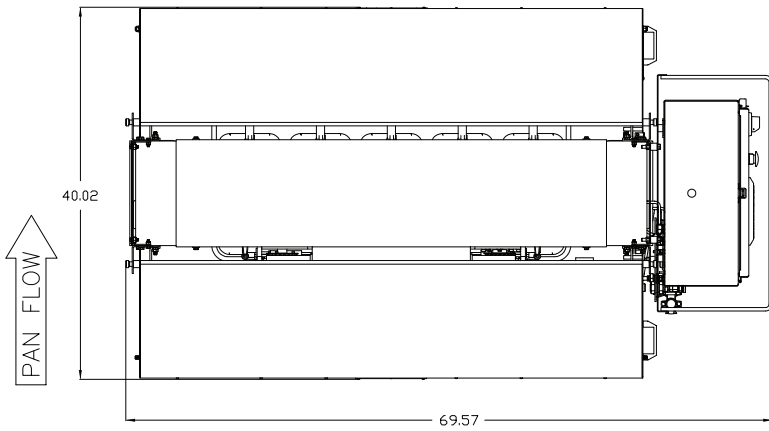
Copyright © Burford Corp. All rights reserved. Burford Corp is a registered trademark with the US Patent & Trademarks office.

PATTERN/CROSS SPLITTER



Options:

- Additional manifolds
- Conveyor
- Pan metering system



SPECIFICATIONS	
ELECTRICAL:	220 VOLT, 50/60 HZ, 1 PHASE, 15 AMPS
AIR:	60 PSI, 5 SCFM (Max)
WATER:	50 PSI, 50 GPH (Max)