

Burford® Auto-Fill System

MODEL HS300, MODEL HS500

The Burford® Auto Fill System is uniquely designed to transfer sesame seed from a bulk storage tank to the hopper located on the Burford® Seeder.

- Stainless steel construction
- Venturi designed vacuum system with no moving parts
- Flexible anti-static hose for seed transfer, 30ft. max.
- Up to 9lbs/minute throughput

Model HS300 shown with optional tank vibrator kit



PRACTICAL SOLUTIONS THROUGH INNOVATIVE TECHNOLOGIES



CALL US TODAY 1-877-BURFORD (287-3673)

P.O. Box 748 • Maysville, OK 73057 • 1-405-867-4467 • Fax 1-405-867-4219 • e-mail: sales@burford.com • website: www.burford.com

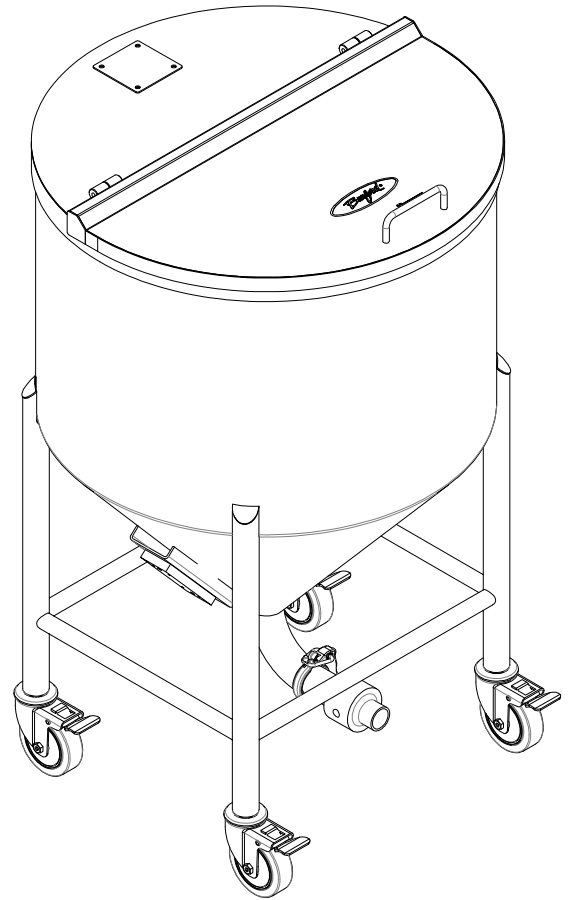
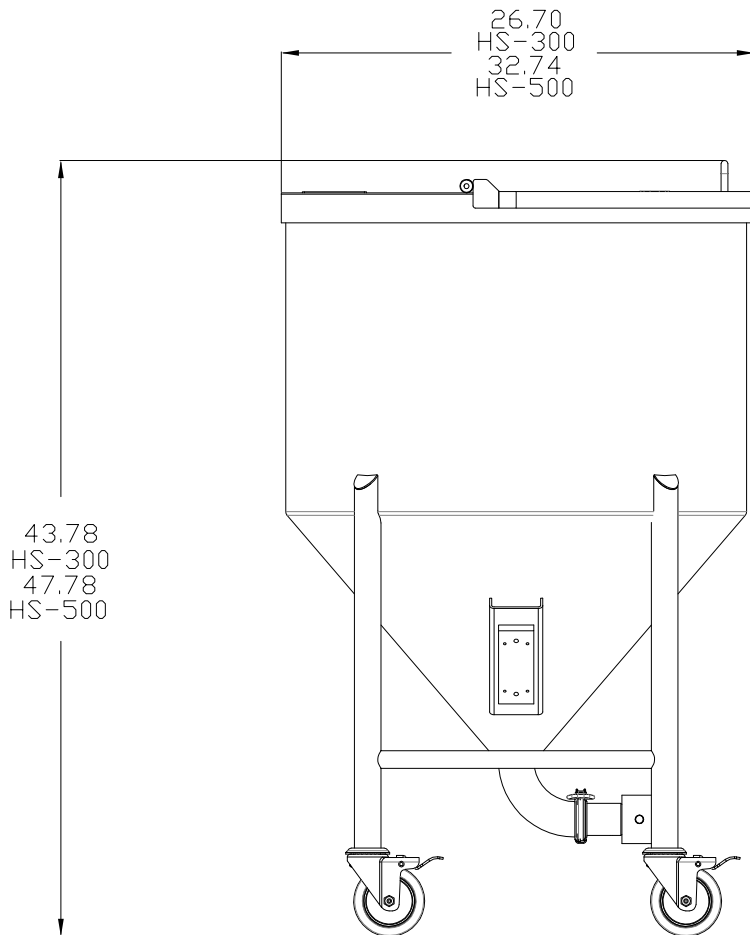
Copyright © Burford Corp. All rights reserved. Burford Corp is a registered trademark with the US Patent & Trademarks office.

AUTO-FILL SYSTEM



Options:

- Air dryer
- Tank low level alarm
- Tank vibrator kit
- 300lb. or 500lb.



SPECIFICATIONS
AIR:
80 PSI, @ 18 SCFM (Max)