

Burford® Flour Duster®

MODEL FD300R RIGHT HAND & MODEL FD300L LEFT HAND

The Burford® FD300 Flour Duster is designed to dispense flour and other fine toppings onto product in an even and consistent manner. Using the easily controlled operator interface, topping density can be instantly manipulated without interrupting product flow.

Right hand model FD300R shown with optional stand.



Features

- Can also be used to dispense other fine toppings
- Aluminum and stainless steel construction
- User friendly operator controls
- Quick change templates

PRACTICAL SOLUTIONS THROUGH INNOVATIVE TECHNOLOGIES

Burford®
BC

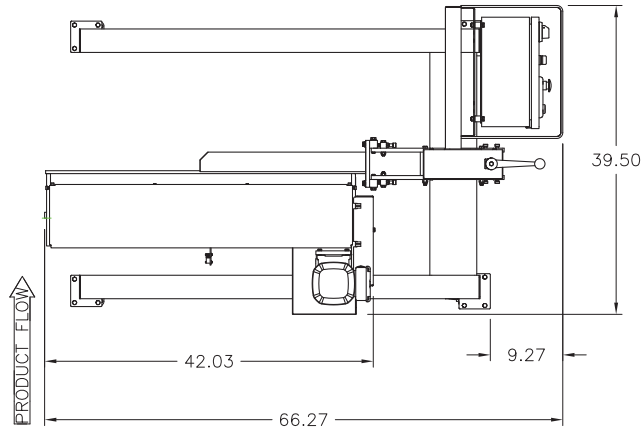
CALL US TODAY 1-877-BURFORD (287-3673)

P.O. Box 748 • Maysville, OK 73057 • Telephone (405) 867-4467 • Fax (405) 867-4219 • e-mail: sales@burford.com • web site: www.burford.com

Copyright © Burford Corp. All rights reserved. Burford Corp. is a registered trademark with the US Patent & Trademark Office.

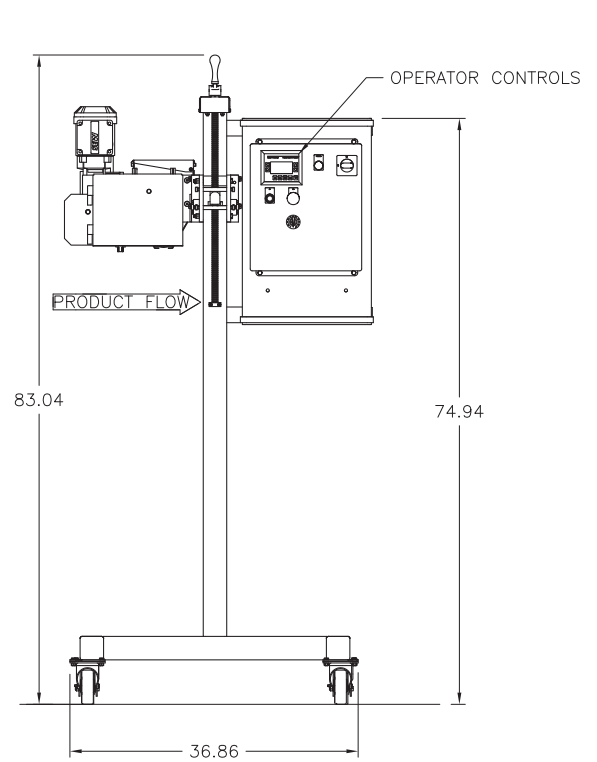
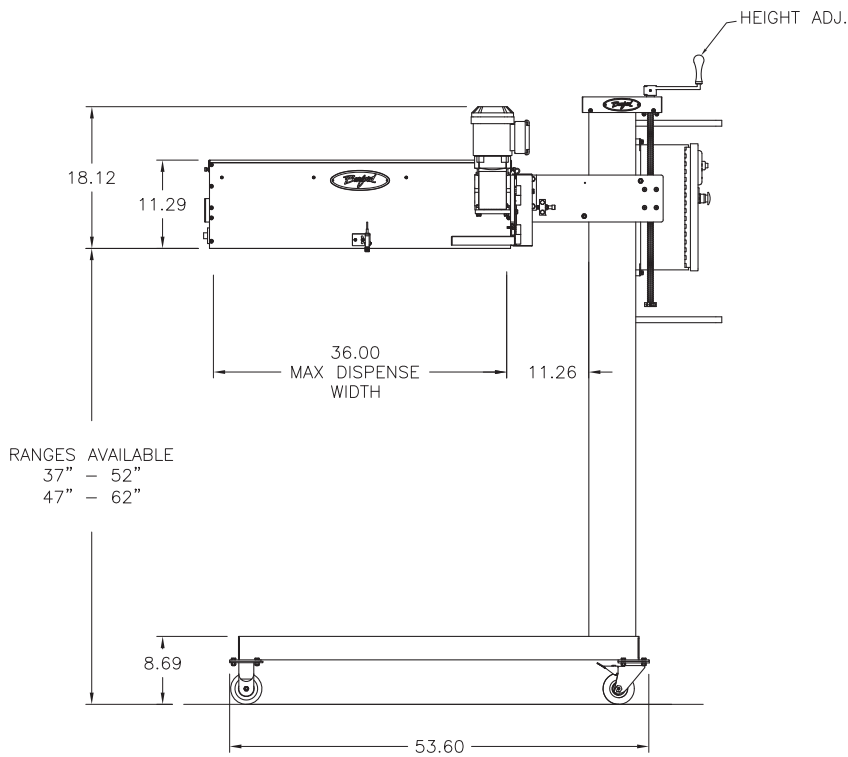
MODEL FD300 FLOUR DUSTER®

WITH OPTIONAL STAND



Options:

- Dispense Widths
- Cantilevered Stand
- Templates
- Washdown
- Voltages



SPECIFICATIONS

Electrical:

120V AC, 60Hz, 1 Φ, 10A