

# Burford®

## Entry Level Twist Tyer System

MODEL EL54C

The Burford® Entry Level Twist Tyer System delivers the #1 consumer preferred closure at a lower cost per package for the retail and small wholesale bakery. The EL54C is designed to be used with manual or semi-automatic bag loaders to improve the efficiency of the bakery packaging process. With the Entry Level Tyer, packages are simply placed onto the conveyor and the tying process is automated. For optimal performance a minimum bag thickness of 1.25mil is required.

Model EL54C shown with optional hand bagger



- Proven Burford® tyer design
- Most economical closure
- Portable system
- Simple operator controls
- Flighted conveyor
- Low maintenance

PRACTICAL SOLUTIONS THROUGH INNOVATIVE TECHNOLOGIES

**Burford®**  
bc

CALL US TODAY 1-877-BURFORD (287-3673)

P.O. Box 748 • Maysville, OK 73057 • 1-405-867-4467 • Fax 1-405-867-4219 • e-mail: sales@burford.com • website: www.burford.com

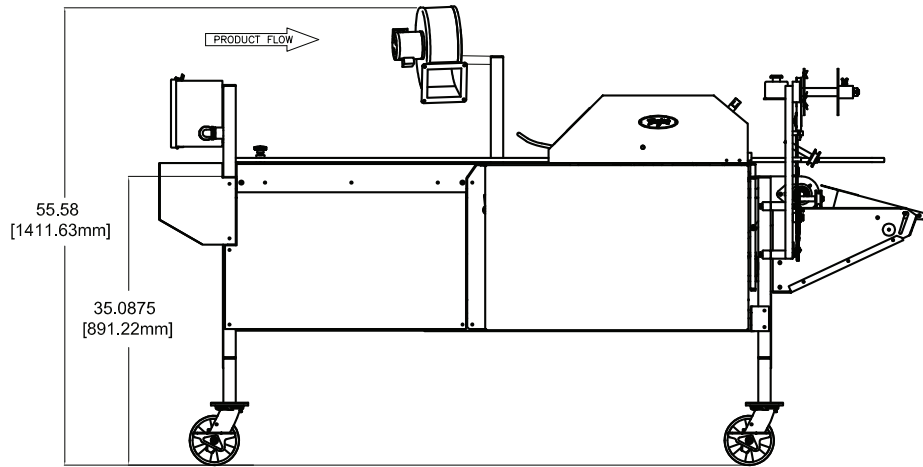
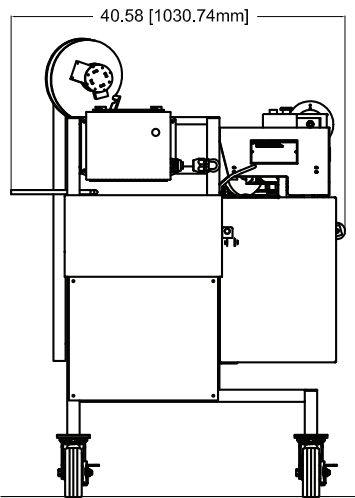
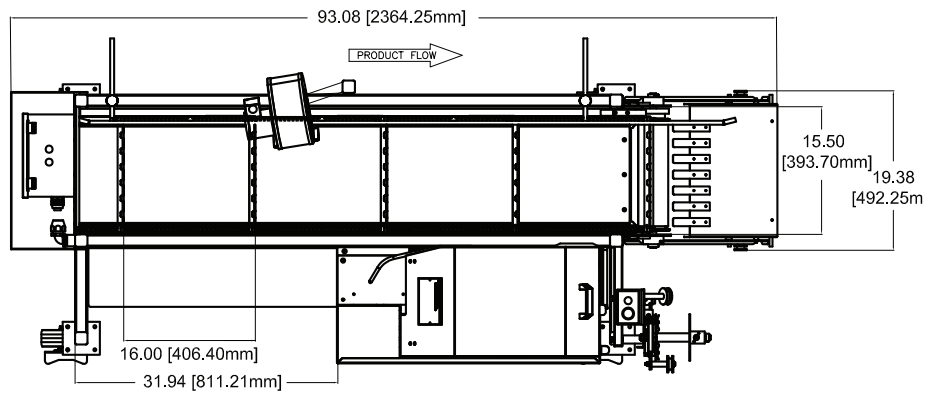
Copyright © Burford Corp. All rights reserved. Burford Corp is a registered trademark with the US Patent & Trademarks office.

# ENTRY LEVEL TWIST TYER SYSTEM



## Options:

- Hand bagger
- Blower kit



## SPECIFICATIONS

### ELECTRICAL:

110 VOLT, 50/60 HZ, 1 PHASE, 10 AMPS