

Burford® Smart Shaker

MODEL DC5000 - RIGHT HAND, MODEL DC5100 - LEFT HAND

The Burford® Smart Shaker builds on the proven orbital motion by adding dual linear motions. The DC5000 handles a variety of pan types from hamburger buns to dinner rolls and cluster cones in either direction. Through innovative technology dough correction has never been easier.

- Labor savings
- Easy pan setup
- PLC controlled
- Automated pan clamp system
- User friendly controls



Model DC5100 shown
with optional conveyor
and polycarbonate covers

PRACTICAL SOLUTIONS THROUGH INNOVATIVE TECHNOLOGIES

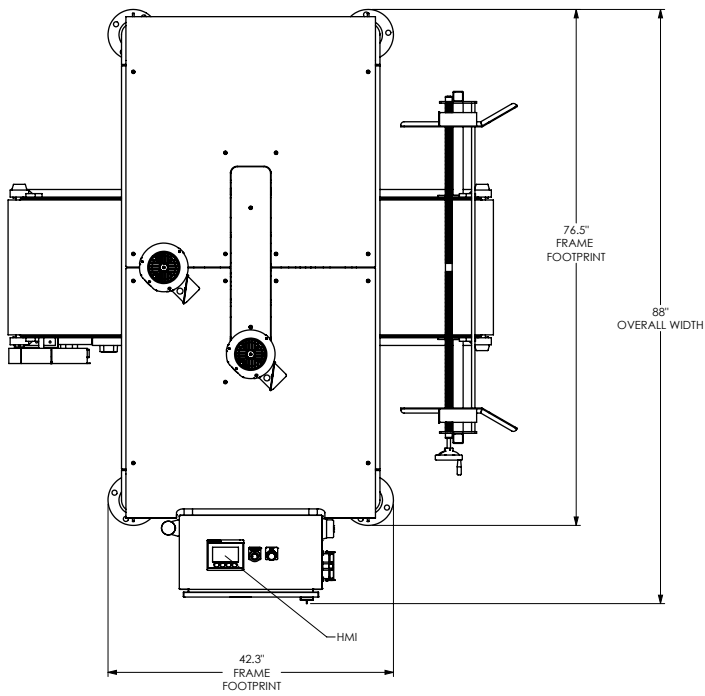
Burford®
(bc)

CALL US TODAY 1-877-BURFORD (287-3673)

P.O. Box 748 • Maysville, OK 73057 • 1-405-867-4467 • Fax 1-405-867-4219 • e-mail: sales@burford.com • website: www.burford.com

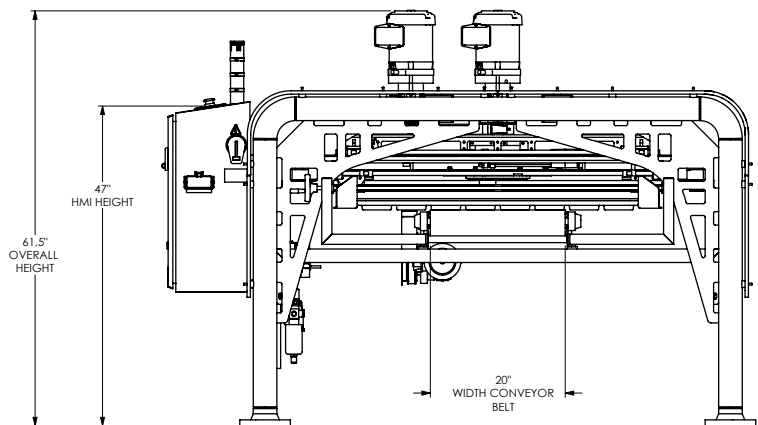
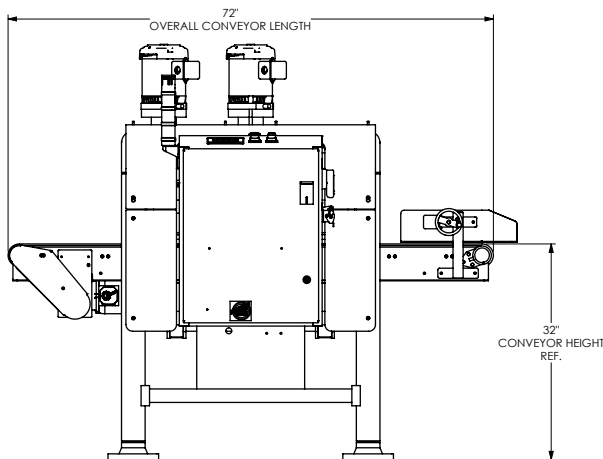
Copyright © Burford Corp. All rights reserved. Burford Corp is a registered trademark with the US Patent & Trademarks office.

SMART SHAKER



Options:

- Automated pan guides
- Conveyor
- Polycarbonate covers



SPECIFICATIONS

ELECTRICAL:

110 VOLT, 50/60 HZ, 20 AMPS

AIR:

80 PSI, 3 SCFM (MAX)