

Burford® Model 280 Sifter

PURITY PROTECTION

Protect the purity of any ingredient with the Burford® Model 280 Sifter.

Maintain your high quality standards by guarding against contamination. The Burford® Sifter can help you inspect all incoming ingredients, reclaim dusting flour and serve as your main product sifter. It's built to tough Burford® Standards and features a stainless steel frame and screens in various sizes. The Burford® Sifter operates simply and quietly, and it's portable.



MODEL 280S SHOWN

PRACTICAL SOLUTIONS THROUGH INNOVATIVE TECHNOLOGIES



CALL US TODAY 1-877-BURFORD (287-3673)

P.O. Box 748 • Maysville, OK 73057 • 1-405-867-4467 • Fax 1-405-867-4219 • e-mail: sales@burford.com • website: www.burford.com

Copyright © Burford Corp. All rights reserved. Burford Corp is a registered trademark with the US Patent & Trademarks office.

MODEL 280 SIFTER

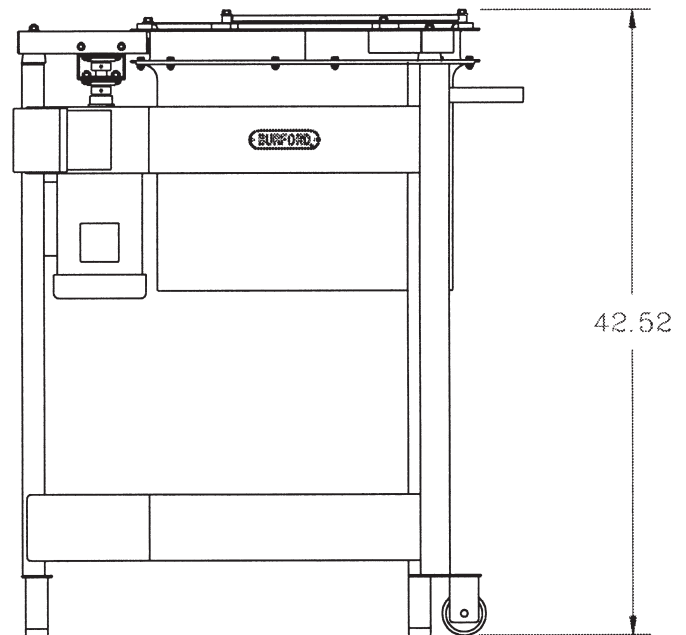
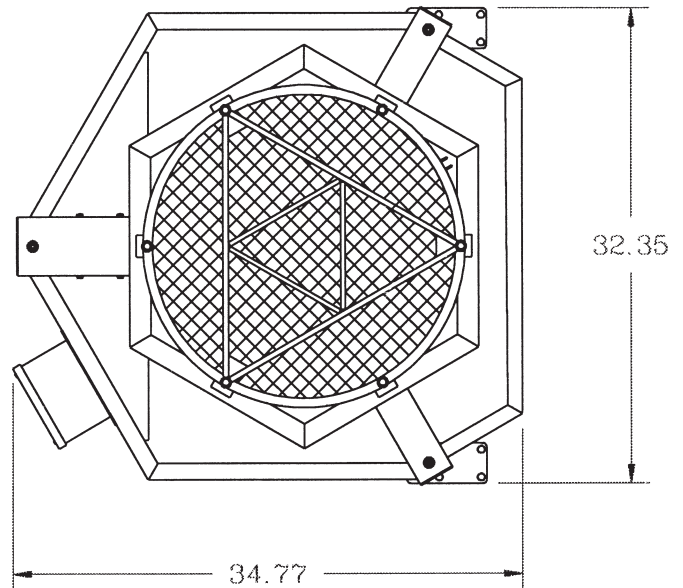
Burford[®]
bc

Features

- Simple Operation
- Stainless Screen
- Tough Stainless Frame
- Portable
- Heavy Duty Vinyl Dust Skirt
- Quiet Operation
- Open Front Design for Container Access
- Screen Sizes from 4 to 100 Mesh Available

Options

- Product Shelf/Model 280S
- Large Container Frame/Model 280W



SPECIFICATIONS

ELECTRICAL:

110 VOLT, 50-60 HZ, 1 PHASE

10 AMPS

DIMENSIONS:

HEIGHT: 42.52", WIDTH: 32.35", DEPTH: 34.77"

CONSTRUCTION:

STAINLESS STEEL AND ALUMINUM

SIFT OUTPUT:

APPROXIMATELY 15 TO 30 LBS. PER MINUTE

VIBRATOR:

ELECTRIC, TEFC

SIFTER HOPPER

DIAMETER: 20"

DEPTH: 3.75"

CAPACITY: 25 LBS.

SCREEN: 30 MESH IS RECOMMENDED FOR FLOUR AND SIMILAR MATERIALS