

Burford® Smart Servo Twist Tyer

MODEL 2200M - RIGHT HAND, MODEL 2300M - LEFT HAND

The Burford® Smart Servo Twist Tyers deliver the #1 consumer preferred closure at a lower cost per package. With critical components designed to last even longer, the Smart Servo delivers years of dependable service with less maintenance. For optimal performance a minimum bag thickness of 1.25 Mil is required.

- Brushless servo motors
- Holder/Shear actuator practically eliminates adjustment while greatly reducing wear
- Sealed encoders
- Lower energy consumption
- Modular design allows for easy replacement of critical components
- Improved brush design

#1 Consumer Preferred Closure



Model 2200M shown with optional digital display, package detection system and conveyor

PRACTICAL SOLUTIONS THROUGH INNOVATIVE TECHNOLOGIES



CALL US TODAY 1-877-BURFORD (287-3673)

P.O. Box 748 • Maysville, OK 73057 • 1-405-867-4467 • Fax 1-405-867-4219 • e-mail: sales@burford.com • website: www.burford.com

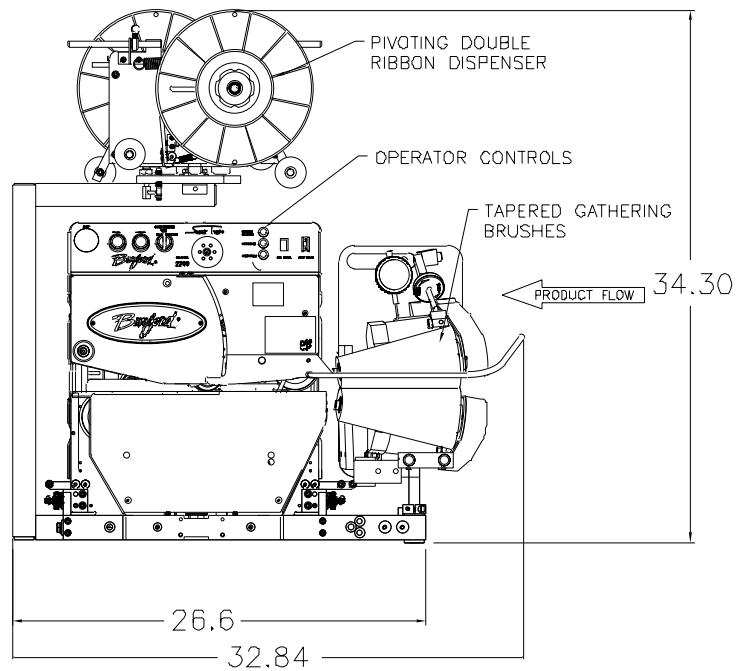
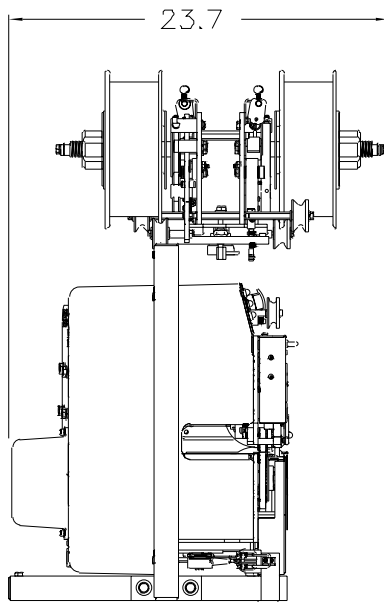
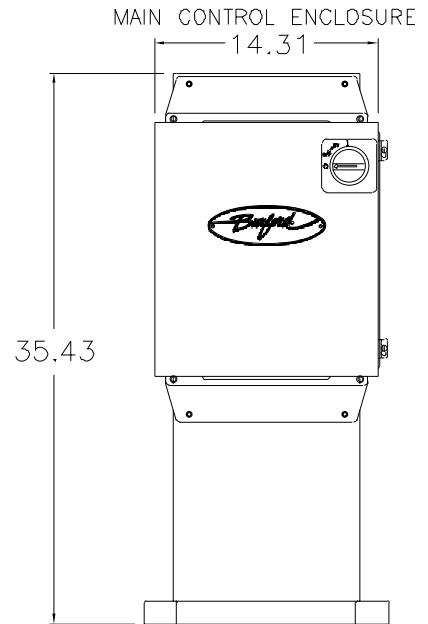
Copyright © Burford Corp. All rights reserved. Burford Corp is a registered trademark with the US Patent & Trademarks office.

SMART SERVO TWIST TYER



Options

- Digital Display
- Package Detection System
- Tagger
- Portable Height Adjustable Stand
- Speed Follow Kit
- Bag Vacuum Kit
- Blower Kit
- Conveyor



SPECIFICATIONS

ELECTRICAL:

110 VOLT, 50/60 HZ, 1 PHASE, 10 AMPS