

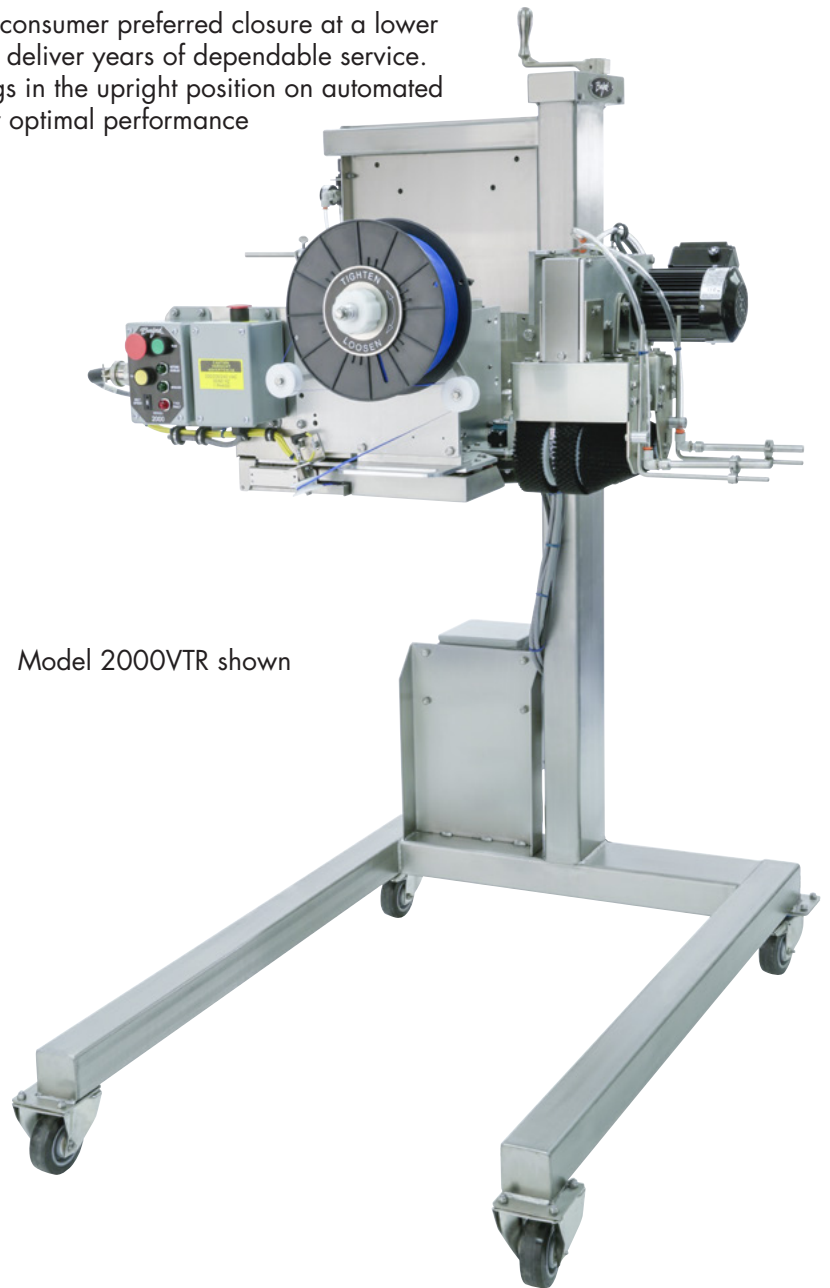
Burford®

Vertical Servo Tyer

MODEL 2000VTR - RIGHT HAND, MODEL 2100VTR - LEFT HAND

The Burford® Vertical Servo Twist Tyer delivers the #1 consumer preferred closure at a lower cost per package. The model 2000VTR is designed to deliver years of dependable service. The Vertical Servo Tyer is uniquely designed to tie bags in the upright position on automated lines and suited for a wide variety of applications. For optimal performance a minimum bag thickness of 1.25 Mil is required.

- Package recognition system
- Quick, easy threading
- Multiple applications
- User friendly controls



PRACTICAL SOLUTIONS THROUGH INNOVATIVE TECHNOLOGIES

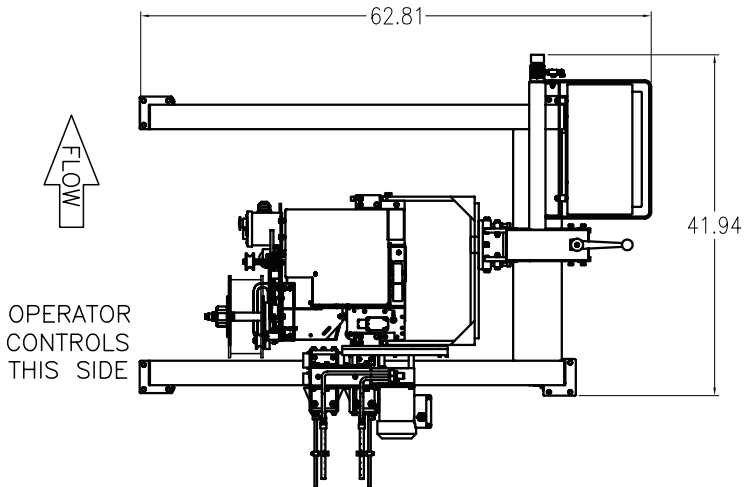
Burford®
bc

CALL US TODAY 1-877-BURFORD (287-3673)

P.O. Box 748 • Maysville, OK 73057 • 1-405-867-4467 • Fax 1-405-867-4219 • e-mail: sales@burford.com • website: www.burford.com

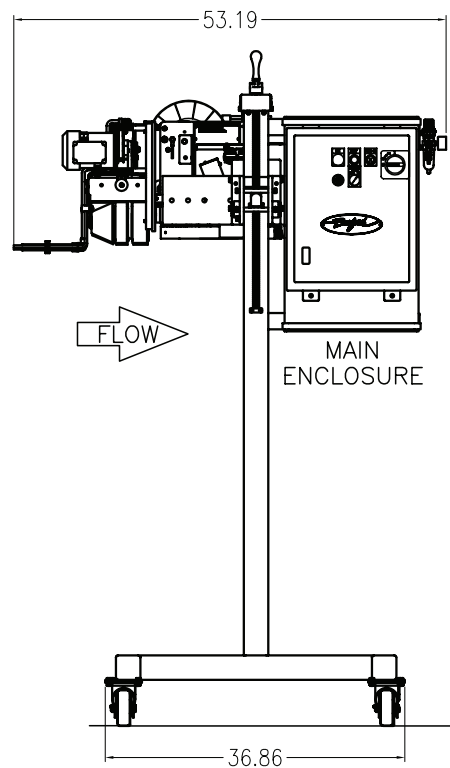
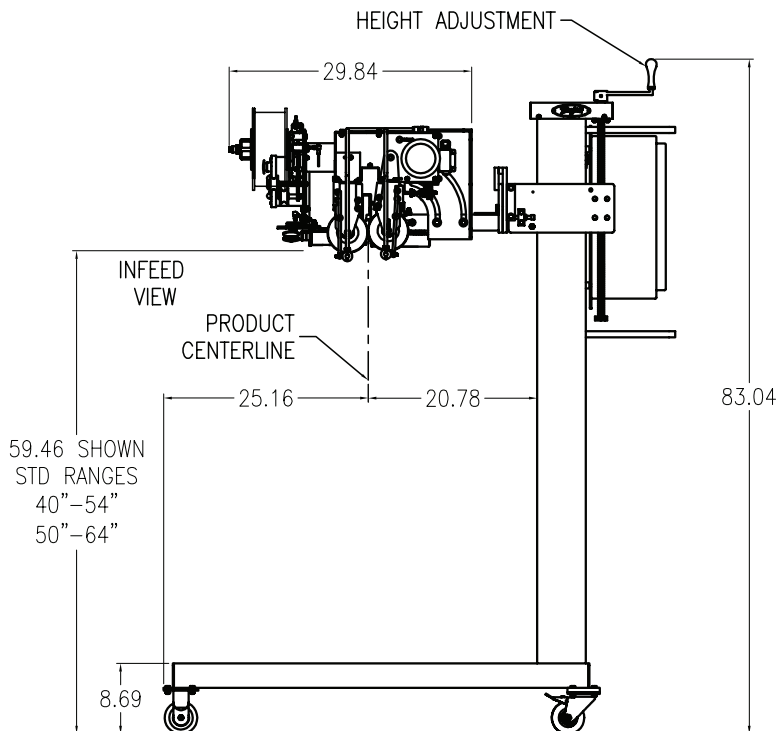
Copyright © Burford Corp. All rights reserved. Burford Corp is a registered trademark with the US Patent & Trademarks office.

VERTICAL SERVO TYER



Options:

- Digital display
- Package detection system
- Extended infeed belts (VTRE)
- Conveyor



SPECIFICATIONS

ELECTRICAL:

110 VOLT, 60HZ, 1 PHASE, 10 AMPS