

Burford®

Pattern Splitter

MODEL PS-3R - RIGHT HAND, MODEL PS-3L - LEFT HAND

The Burford® Pattern Splitter utilizes low pressure water to provide a split top look on your bakery products. The PS-3 can be programmed to produce a variety of split patterns. No pan stop is required as the pan flows continuously.

- Accurate split positions
- Quick change manifold
- Servo controlled
- Portable pressure control system



Model PS-3L shown with optional conveyor

PRACTICAL SOLUTIONS THROUGH INNOVATIVE TECHNOLOGIES



CALL US TODAY 1-877-BURFORD (287-3673)

P.O. Box 748 • Maysville, OK 73057 • 1-405-867-4467 • Fax 1-405-867-4219 • e-mail: sales@burford.com • website: www.burford.com

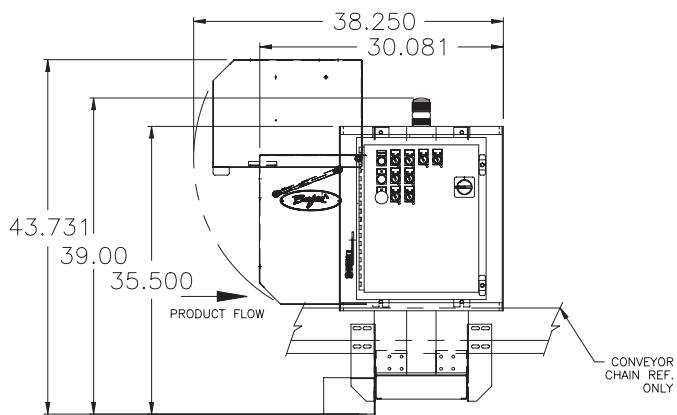
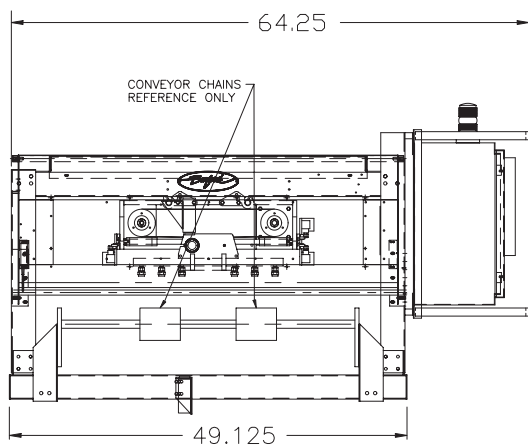
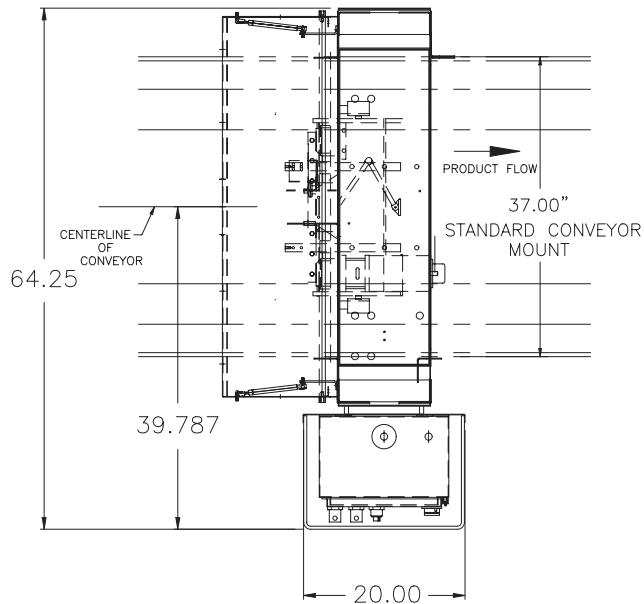
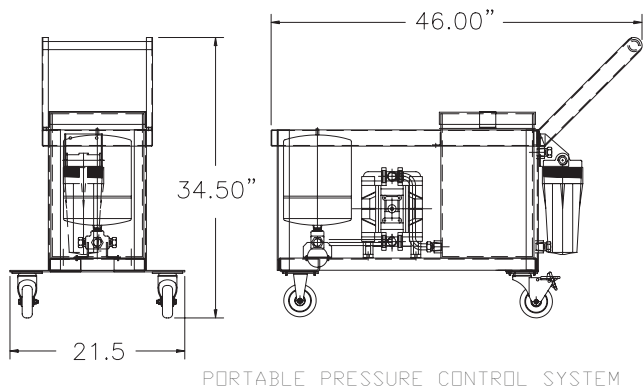
Copyright © Burford Corp. All rights reserved. Burford Corp is a registered trademark with the US Patent & Trademarks office.

PATTERN SPLITTER



Options:

- Additional manifolds
- Conveyor



SPECIFICATIONS	
ELECTRICAL:	220 VOLTS, 50/60 HZ, 1 PHASE, 15 AMPS
AIR:	60 PSI, @ 3 SCFM (Max)
WATER:	40 PSI, @ 12 GPH (Max)