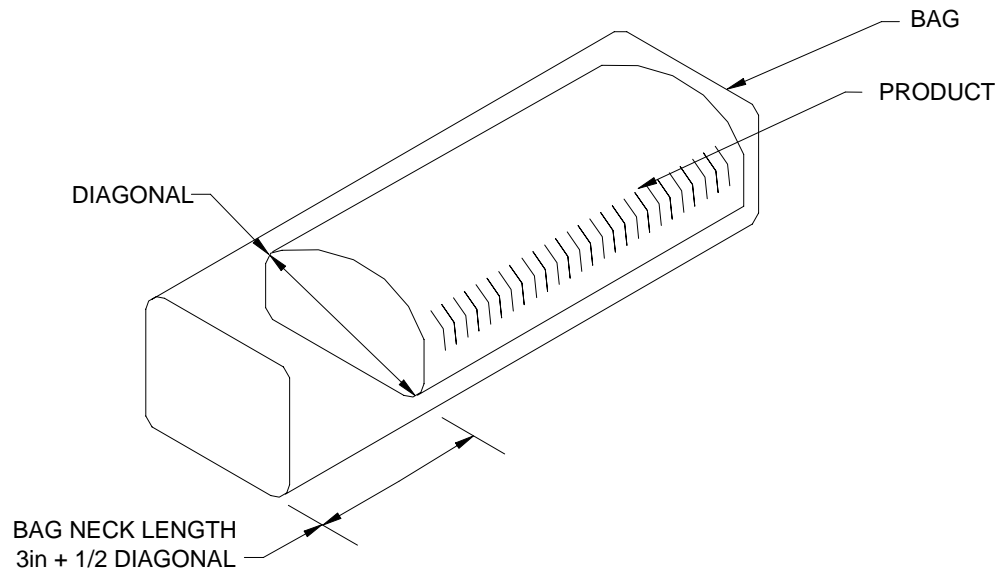


Bag Neck Length Requirements (Taper)

1. Measure the diagonal across the end of the product.
2. Take one-half of this diagonal measurement and add three to determine the required length of the bag neck.

This formula is provided in case you are developing a new product package and need to calculate a bag neck length for an automatic taping operation. Please consult a reliable package manufacturer for your specific needs or contact Burford Corporation if we can be of assistance.

CAUTION: Short bag neck lengths can cause excessive package jam-ups.



Bag Neck Length Requirements (Twist Tyer)

1. Measure the diagonal across the end of the product.
2. Take one-half of this diagonal measurement and (depending upon the machine combination) add three or four inches to determine the required length of the bag neck.

This formula is provided in case you are developing a new product package and need to calculate a bag neck length for an automatic tying operation. Please consult a reliable package manufacturer for your specific needs or contact Burford Corporation if we can be of assistance.

CAUTION: Short bag neck lengths can cause excessive ribbon drops and package jam-ups.

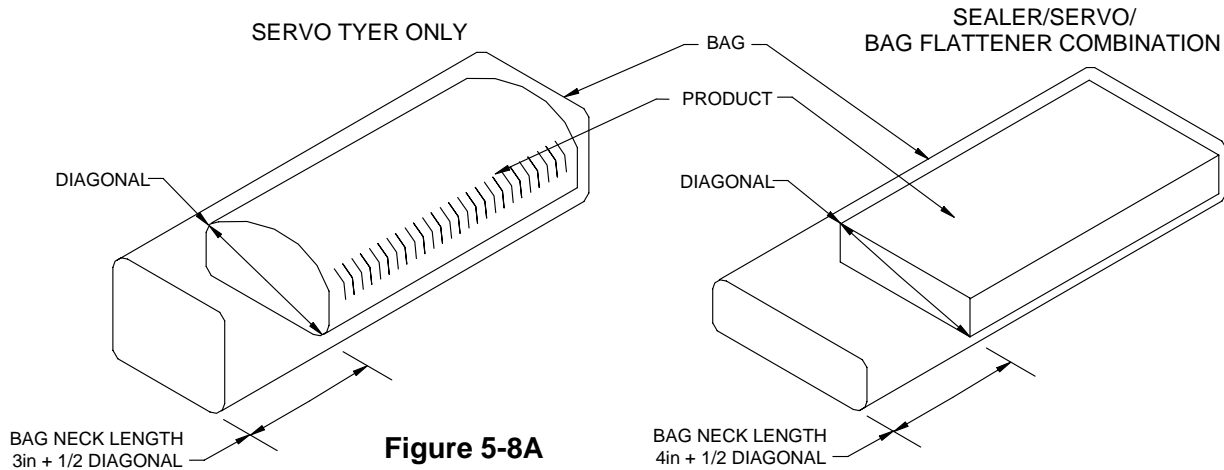


Figure 5-8A